

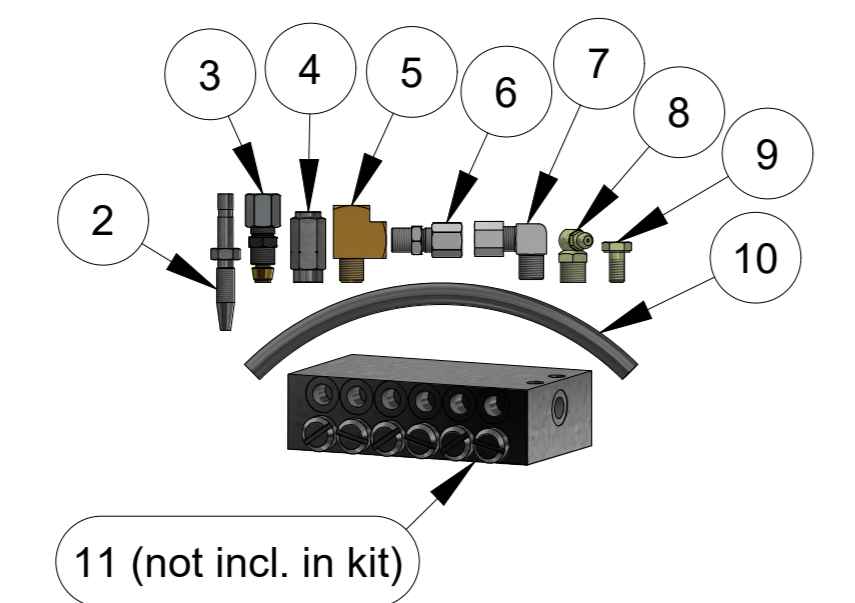
Rod Handling RHS 27E



MT Parts: 0407 059 610
 11 Halsey Circuit, Roseworthy S.A. 5337
 171 Dugan Street, Kalgoorlie W.A. 6430
parts@mtunderground.com
www.mtunderground.com

GREASE KIT RHS17 / RHS27			
ITEM	PART NUMBER	DESCRIPTION	QTY
1	MT3128 2538 CAR	CAROUSEL GREASE KIT (incl. items 2-10)	1
2	MT3128 2538 09	HOSE ADAPTOR STRAIGHT	1
3	MT3128 2539 95	CHECK VALVE	24
4	MT3128 2538 08	THREADED SLEEVE	50
5	MT3128 2538 12	ADAPTOR T (GREASE BLOCK)	2
6	MT0580 0002 00	COUPLING STRAIGHT	1
7	MT0580 2202 00	COUPLING 90°	20
8	MT0544 2562 00	GREASE NIPPLE 90°	2
9	MT0226 0326 00	SCREW	10
10	MT3128 2538 10	HIGH POWER PIPE	20m
11	MT3128 2538 18	GREASE DISTRIBUTOR BLOCK 12 PORT	2

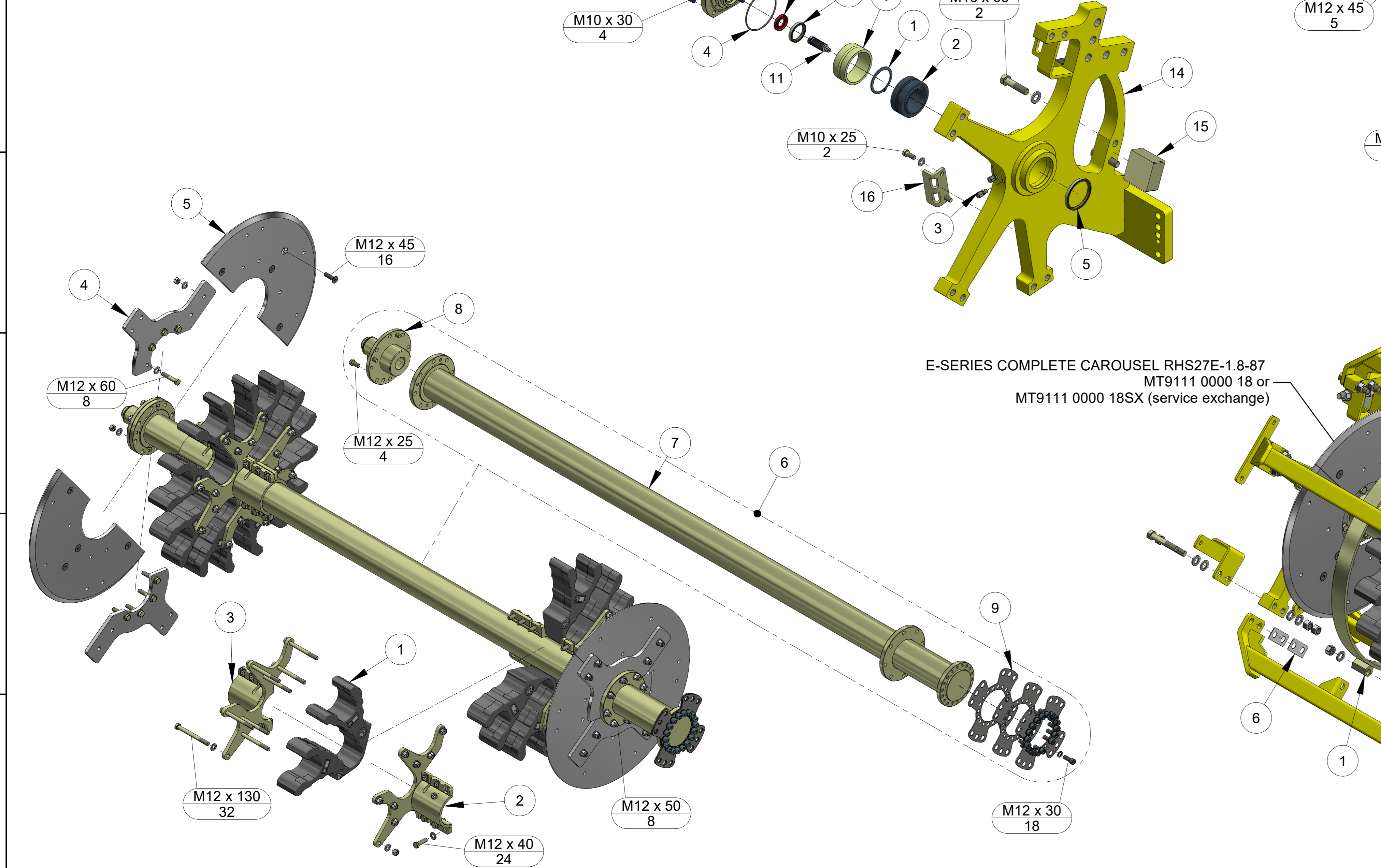
(NOTE: not included in kit)



MT9111 0003 98CA GRIPPER ARM SHAFT 1.8m - RHS27E			
ITEM	PART NUMBER	DESCRIPTION	QTY
1	MT0248 9979 54	THREADED ROD	2
2	MT0335 1151 00	CIRCLIP	1
3	MT0501 0019 01	BEARING	1
4	MT0580 2202 00	COUPLING 90°	2
5	MT0663 6143 00	O-RING	1
6	MT0665 9100 86	WIPER	1
7	MT0665 9100 88	WIPER	1
8	MT0666 6000 56	LIP SEAL	0
9	MT3128 0031 15	BEARING HOUSING	1
10	MT3128 0031 16	SPACER RING	1
11	MT3128 0031 17	SHAFT	1
12	MT3128 0031 18	COVER	1
13	MT3128 3059 89	BELLOWS COUPLING	1
14	MT3128 3065 45	PROTECTION PLATE	1
15	MT9111 0003 98	REAR BEARING	1
16	MT9111 0004 13	BEARING HOUSING	1
17	MT9111 0004 02	LINK ARM	1
18	MT0501 0000 81	ANGULAR SPHERICAL BEARING	2
19	MT9111 4244 26	SPACER RING	1
20	MT9111 0003 99	SEAL CARRIER	1
21	MT9111 4244 63	ROLLER BEARING	1
22	MT0665 9100 96	WIPER	1

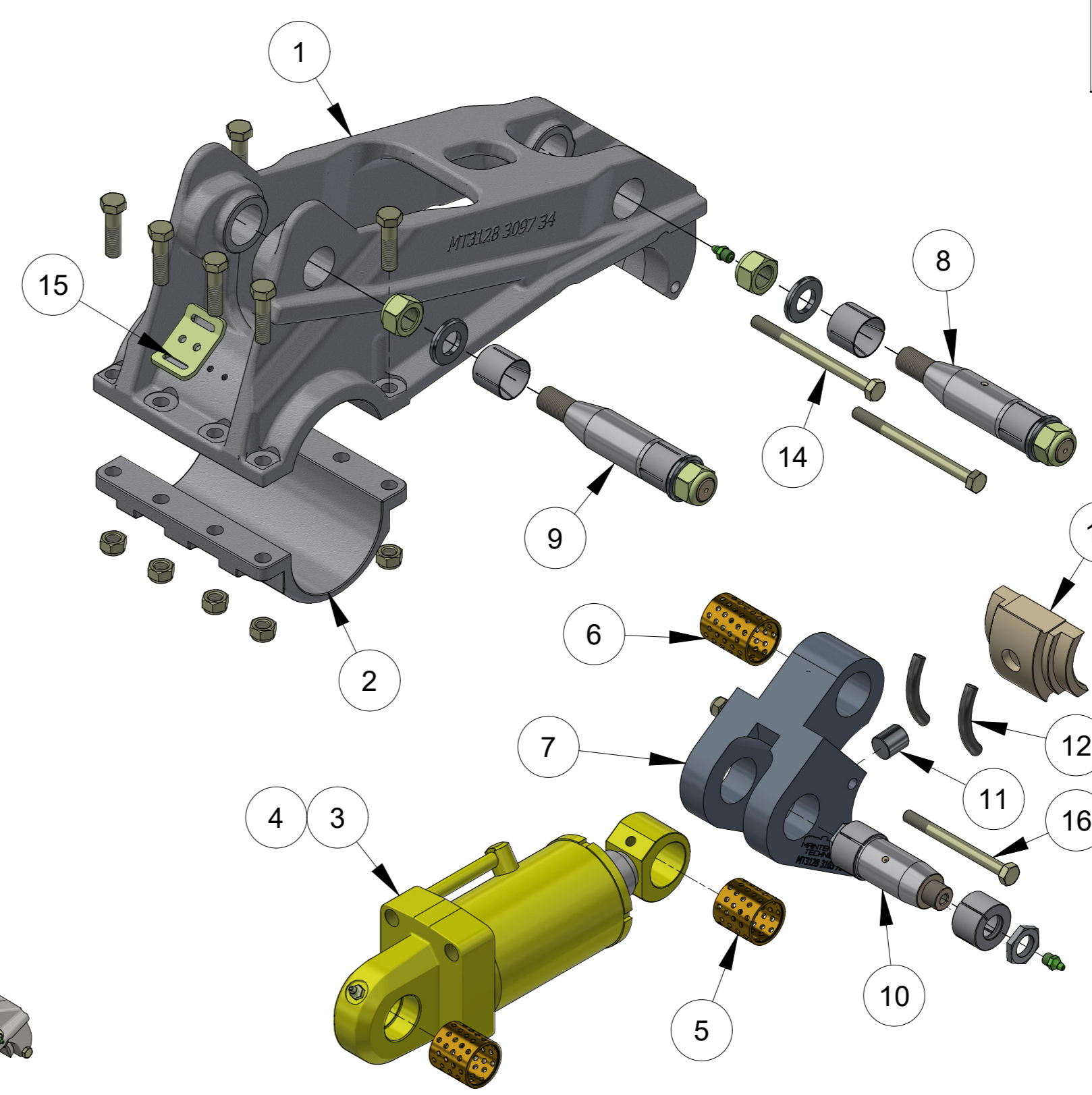
MT9111 0003 98CA GRIPPER ARM SHAFT 1.8m - RHS27E			
ITEM	PART NUMBER	DESCRIPTION	QTY
23	MT9111 4244 19	BEARING COVER	1
24	MT9111 4244 24	SHIM	6
25	MT0335 1178 00	CIRCLIP	1
26	MT0663 6157 00	O-RING	1
27	MT0665 9099 27	WIPER	1
28	MT9111 0003 984	O-RING	1
29	MT0544 2162 00	GREASE NIPPLE	2
30	MT0580 2202 00	COUPLING 90°	2
31	MT0580 0002 00	COUPLING	1
32	MT3128 3151 485	RELIEF VALVE	2
33	MT3128 3005 37	PLUG	1
34	MT9111 0003 981	REACTION ARM	1
35	MT9111 0003 982	ROTATION STOP	1
36	MT9111 0004 14	ACTUATOR	1
37	MT9111 4244 45	PRESS WASHER	1
38	MT9111 4244 73	ROD HANDLING SHAFT COMPL. (1.8m)	1
38.1	MT9111 4244 735	ROD HANDLING SHAFT COMPL. (1.5m)	1
39	MT9111 4244 731	ROD HANDLING SHAFT (1.8m)	1
39.1	MT9111 4244 736	ROD HANDLING SHAFT (1.5m)	1
40	MT9111 4244 732	SPLINE HUB	1
41	MT9111 4244 733	O-RING	1
42	MT9106 9755 91	ANGLE SENSOR RCS5	1
42.1	MT9106 2192 03	ANGLE SENSOR RCS4	1

BOTTOM FRAME - RHS27E			
ITEM	PART NUMBER	DESCRIPTION	QTY
1	MT0335 1151 00	CIRCLIP	1
2	MT0501 0019 01	BEARING	1
3	MT0580 0002 00	COUPLING STRAIGHT	2
4	MT0663 6143 00	O-Ring	1
5	MT0665 9100 86	WIPER	1
6	MT0665 9100 88	WIPER	1
7	MT0666 6000 56	LIP SEAL	1
8	MT3128 0031 16	SPACER RING	1
9	MT3128 0031 17	SHAFT	1
10	MT3128 0031 18	COVER	1
11	MT3128 3059 89	BELLOWS COUPLING	1
12	MT3128 3065 45	PROTECTION PLATE	1
13	MT9106 2192 03	ANGLE SENSOR	1
13.1	MT9106 9755 91	ANGLE SENSOR RCS5	1
14	MT9111 0003 66	END PIECE	1
15	MT9111 0003 661	GABLE SUPPORT BLOCK	1
16	MT9111 0003 662	CABLE GUIDE	1
17	MT9111 0004 10	PROTECTION	1



MAIN SHAFT - RHS27E			
ITEM	PART NUMBER	DESCRIPTION	QTY
1	MT4527	SIMBA MT4527 (45mm tube)	8
1.1	MT5127	SIMBA MT5127 (51mm tube)	8
1.2	MT6427	SIMBA MT6427 (64mm tube)	8
1.3	MT7627	SIMBA MT7627 (76mm tube)	8
1.4	MT7827	SIMBA MT7827 (78mm tube)	8
1.5	MT8727E	SIMBA MT8727 (87mm tube)	8
2	MT3128 2227 15	HOLDER	4
3	MT3128 2227 16	HOLDER OH	4
4	MT9111 0003 68	HOLDER	2
5	MT9111 0003 69	STOP DISC	2
6	MT9111 0003 76	MAIN SHAFT COMPLETE (1.8m)	1
6.1	MT9111 0003 765	MAIN SHAFT COMPLETE (1.5m)	1
7	MT9111 0003 761	SHAFT (1.8M)	1
7.1	MT9111 0003 766	SHAFT (1.5m)	1
8	MT9111 0003 762	END SHAFT	1
9	MT9111 0003 763	END PLATE	3

Mid Frame - RHS27E			
Item	Part Number	Description	Qty
1	MT3128 3102 93	PROTECTION ARCH	2
2	MT9111 0003 81	STAY (1.8m)	2
2.1	MT9111 0003 815	STAY (1.5m)	1
3	MT9111 0011 81	STAY (1.8m)	1
3.1	MT9111 0011 815	STAY (1.5m)	1
4	MT9111 0003 810	STAY (1.8m)	1
4.1	MT9111 0003 8105	STAY (1.5m)	1
5	MT9111 0003 83	HOLDER IRON	3
6	MT9111 0003 811	SHIM	8
7	MT3103 0112 10	STRAP MINI (not incl.)	8
8	MT3176 3681 00	STRAP SHORT (not incl.)	1
9	MT3115 0212 00	STRAP LONG (not incl.)	1



MT3128 3097 33 ARM (RHS17 / RHS27)			
ITEM	PART NUMBER	DESCRIPTION	QTY
1	MT3128 3097 34	ARM	1
2	MT3128 3097 36	CLAMP	1
3	MT3128 3106 12	HYDRAULIC CYLINDER	1
4	MT9120 0993 09	SEAL KIT	1
5	MT3128 3106 13	BUSHING	2
6	MT3128 3104 53	BUSHING	1
7	MT3128 3103 78	JAW	1
8	MT3128 3063 83	EXPANDING SHAFT	1
9	MT3128 0031 55	EXP. SHAFT (no grease point)	1
10	MT3128 3105 98	EXPANDING SHAFT	1
11	MT3128 3107 02	PIN GRIPPER DOWEL	2
12	MT3128 2353 00	DAMPING ELEMENT	4
13	MT0147 1380 03	BOLT	2
14	MT0147 1382 03	BOLT	2
15	MT3128 2597 50	ATTACHMENT	1

GRIPPER JAWS (sold separate)			
ITEM	PART NUMBER	DESCRIPTION	QTY
16	MT3128 3104 20	JAW 32 (RHS 17)	2
16.1	MT3128 3104 21	JAW 38 (RHS 17)	2
16.2	MT3128 3104 22	JAW 45 (RHS 17)	2
16.3	MT3128 3104 25	JAW 64 (RHS 17)	2
16.4	MT3128 3104 51	JAW 51 (RHS 27)	2
16.5	MT3128 3104 26	JAW 76(RHS 27)	2
16.6	MT3128 3104 27	JAW 87 (RHS 27)	2

TOP FRAME - RHS27E			
ITEM	PART NUMBER	DESCRIPTION	QTY
1	MT3128 0032 11	SPACER	2
2	MT3128 3104 72	RHS PIN COMPLETE	2
3	MT3128 3117 14b	GREASE PORT BRACKET	1
4	MT3128 3122 31	CYLINDER	1
5	MT9120 0993 05	CYLINDER SEAL KIT	1
6	MT3128 3134 05	BRONZE CYLINDER BUSH	2
7	MT0580 2202 00	COUPLING 90°	2
8	MT0580 0002 08	COUPLING STRAIGHT M8	2
9	MT9111 0003 60	END PIECE	1
10	MT9111 0003 97	ARM STOP	1
11	MT9111 0004 09	VALVE BRACKET	1
12	MT9111 4244 67	WORM GEAR UNIT (incl. spacer)	1
13	MT9111 4244 671	SPACER - WORM GEAR UNIT	1
14	MT9111 4244 68	HYDRAULIC BRAKE	1
15	MT9111 4244 68SK	BRAKE SEAL KIT	1
16	MT9111 4244 69	HYDRAULIC MOTOR	1
17	MT9111 4244 691	O-RING	1

