

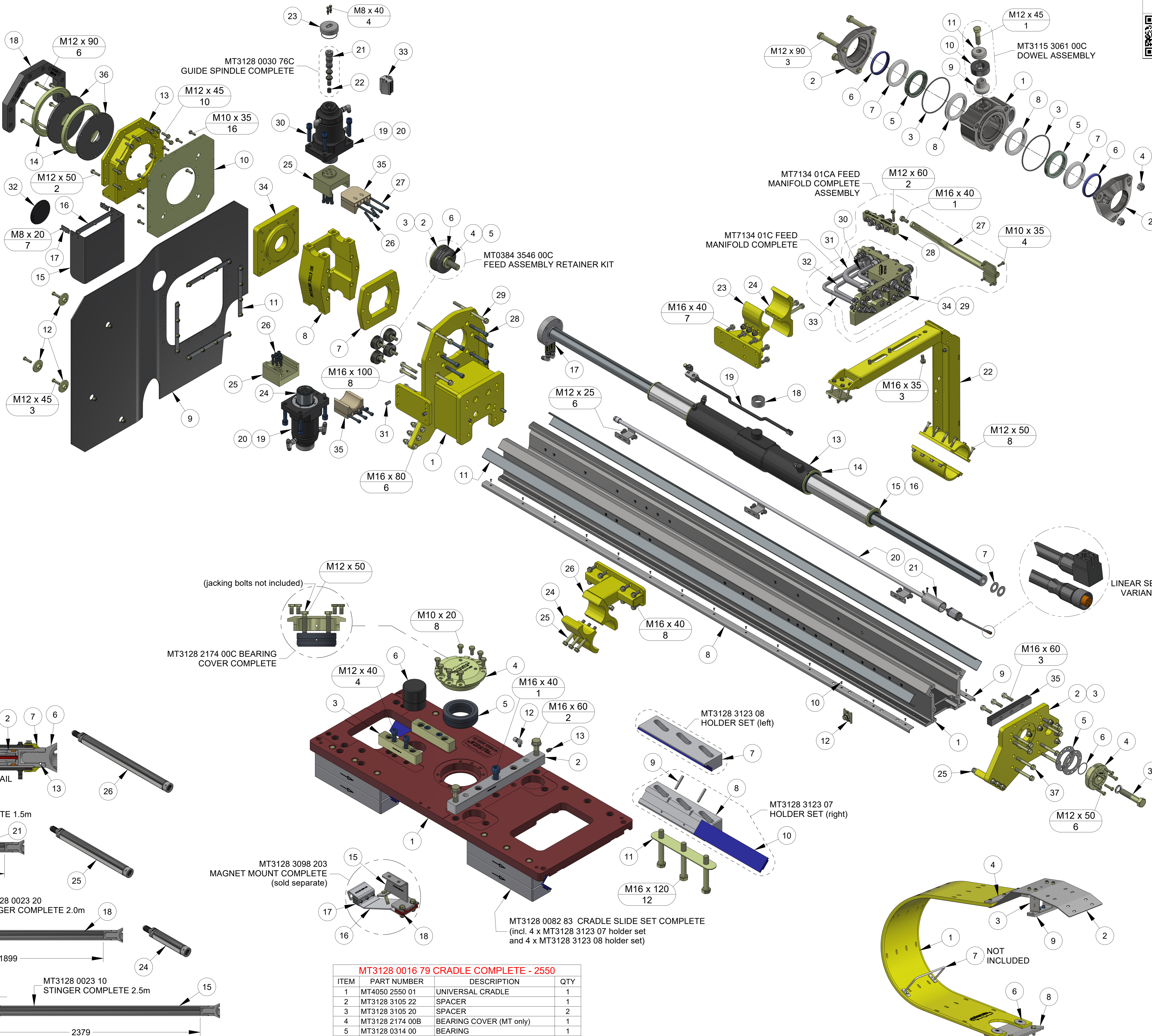
Feed E7C 2550



MT Parts: 0407 059 610
 1 Halsey Circuit, Roseworthy S.A. 5371
 171 Dugan Street, Kalgoorlie W.A. 6450
parts@mtunderground.com
www.mtunderground.com

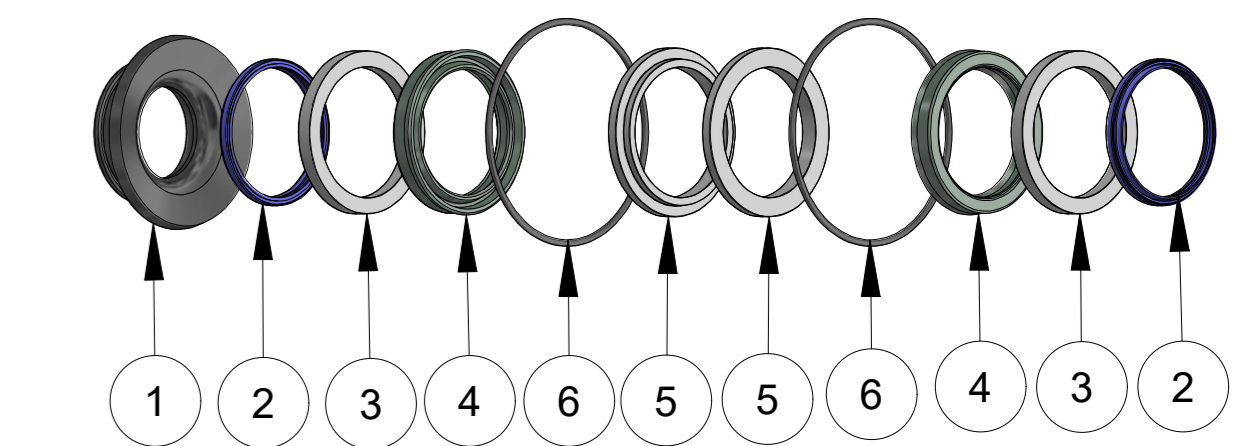
MT3128 0020 26 FEED FRONT

| ITEM | PART NUMBER | DESCRIPTION | QTY |
|------|------------------|---|-----|
| 1 | MT3128 3105 16 | FRONT PLATE | 1 |
| 2 | MT3128 3097 90 | WASHER | 4 |
| 3 | MT0663 2102 09 | O-RING | 4 |
| 4 | MT3128 3097 91 | SLEEVE | 4 |
| 5 | MT0663 6131 00 | O-RING | 4 |
| 6 | MT0384 3546 00 | DISC SPRING | 16 |
| 7 | MT3128 3097 93 | INTERM PLATE | 1 |
| 8 | MT3128 3013 06 | DRILL STEEL SUPPORT | 1 |
| 9 | MT3128 0618 PM | PROTECTION MAT | 1 |
| 10 | MT3128 0618 MM | MAT MOUNT | 1 |
| 11 | MT3128 0618 AP | ATTACHMENT PLATE | 4 |
| 12 | MT3128 0618 LW | MAT WASHER | 3 |
| 13 | MT3128 3047 81 | CUTTING GUIDE | 1 |
| 14 | MT3128 0616 00 | CUTTING RING | 2 |
| 15 | MT3128 0094 00 | RUBBER CLOTH | 1 |
| 16 | MT3128 0682 00 | SHIM | 1 |
| 17 | MT3128 0683 00 | SHIM | 2 |
| 18 | MT3128 0090 00 | COLLARING PART | 1 |
| 19 | MT3128 1311 75 | HYDRAULIC CYLINDER | 2 |
| 20 | MT3128 0030 77 | CYLINDER SEAL KIT (incl. spindle seals) | 2 |
| 21 | MT3128 0030 76 | GUIDE SPINDLE | 2 |
| 22 | MT3128 0030 76SK | GUIDE SPINDLE SEAL KIT | 2 |
| 23 | MT3128 3141 35 | COVER | 2 |
| 24 | MT3217 6246 47 | PISTON ROD | 2 |
| 25 | MT3128 3013 89 | SIMBA JAW HOLDER | 2 |
| 26 | MT0211 1963 02 | SCREW M12x50 SHCS | 16 |
| 27 | MT0211 1963 44 | SCREW M12x120 SHCS | 6 |
| 28 | MT0211 1963 42 | SCREW M16x110 SHCS | 6 |
| 29 | MT0147 1501 03 | SCREW M16x240 | 4 |
| 30 | MT0211 1963 35 | SCREW M20x90 SHCS | 8 |
| 31 | MT3128 3022 32 | PIN | 2 |
| 32 | MT3128 0618 BP | PLUG | 1 |
| 33 | MT3128 0672 02 | BSH ADJUSTING TOOL | 1 |
| 34 | MT3128 3039 2169 | INTERM. PLATE - GUIDE 64mm (T45) | 1 |
| 34.1 | MT3128 3039 2181 | INTERM. PLATE - GUIDE 76mm (T58) | 1 |
| 34.2 | MT3128 3039 21 | INTERM. PLATE - GUIDE 87mm (T68) | 1 |
| 35 | MT3128 3023 51 | CHECK 32mm SPEED ROD (R32) | 2 |
| 35.1 | MT3128 3023 92 | CHECK 38mm SPEED ROD (ST38) | 2 |
| 35.2 | MT3128 3022 70 | CHECK 45mm SPEED ROD (ST45) | 2 |
| 35.3 | MT3128 3023 92T | CHECK T38 TUBE JAW (T38) | 2 |
| 35.4 | MT3128 3022 17 | CHECK 64mm TUBE JAW (T45) | 2 |
| 35.5 | MT3128 3014 00 | CHECK T51 TUBE JAW (T51) | 2 |
| 35.6 | MT3128 3045 74 | CHECK 76mm TUBE JAW (T58) | 2 |
| 35.7 | MT3128 3038 85 | CHECK 87mm TUBE JAW (T68) | 2 |
| 36 | MT3128 0618 08 | TUBE CUTTING GASKET 32-36mm (ST32) | 2 |
| 36.1 | MT3128 0618 07 | TUBE CUTTING GASKET 38mm (ST38) | 2 |
| 36.2 | MT3128 0618 06 | TUBE CUTTING GASKET 45mm (ST45) | 2 |
| 36.3 | MT3128 0618 00 | TUBE CUTTING GASKET 64-76mm (T58) | 2 |
| 36.4 | MT3128 0618 01 | TUBE CUTTING GASKET 87mm (T68) | 2 |



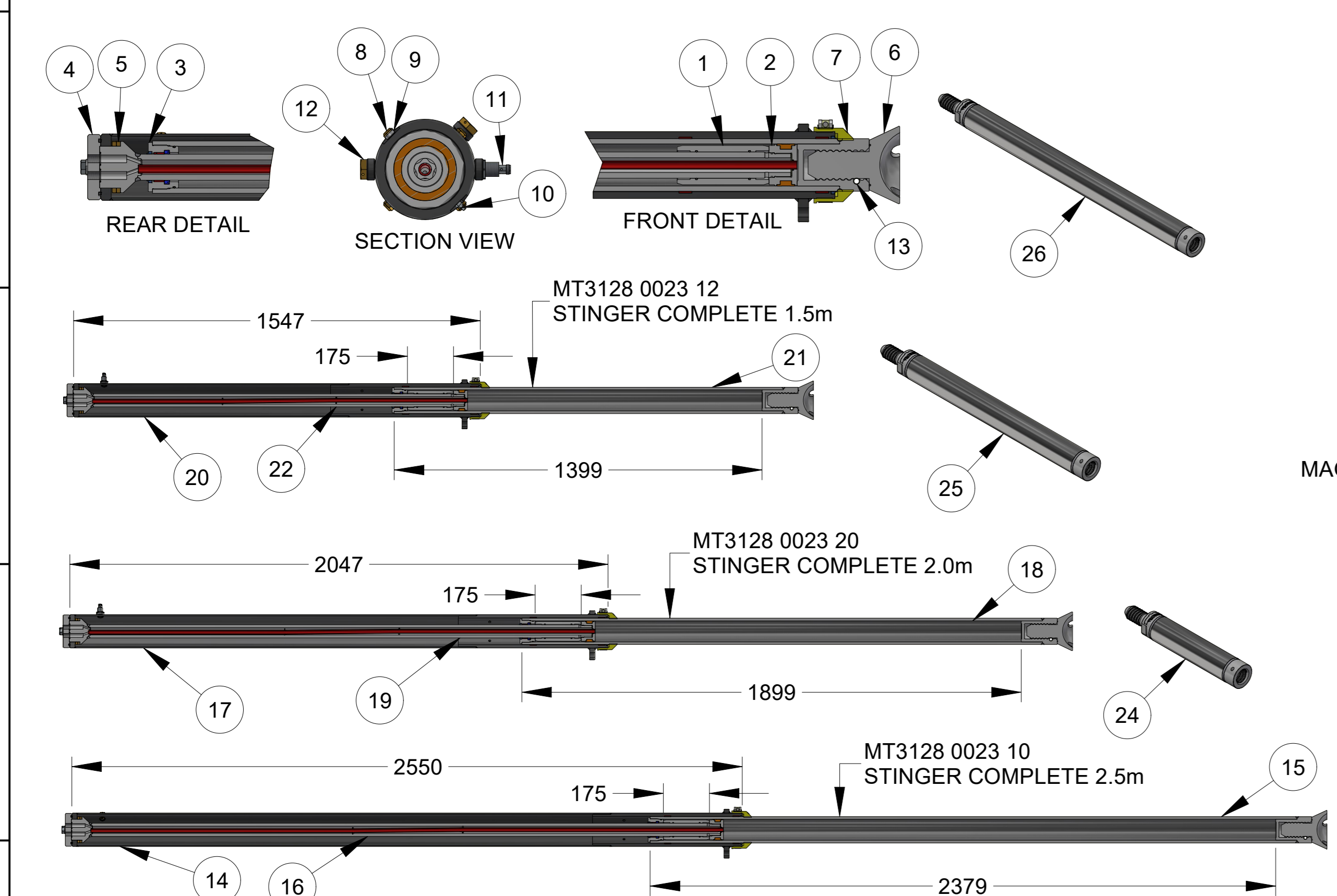
MT3115 3190 80 FLUSHING HEAD COMPLETE (2550)

| ITEM | PART NUMBER | DESCRIPTION | QTY |
|------|----------------|---------------|-----|
| 1 | MT3115 3190 00 | FLUSHING HEAD | 1 |
| 2 | MT3115 3195 00 | COVER | 1 |
| 3 | MT0663 2104 94 | O-RING | 2 |
| 4 | MT0266 2112 00 | NUT | 3 |
| 5 | MT3115 2387 00 | CUP SEAL | 2 |
| 6 | MT3115 3198 00 | WIPER | 2 |
| 7 | MT3115 3196 00 | GUIDE | 2 |
| 8 | MT3115 3197 00 | GUIDE | 2 |
| 9 | MT3115 3061 00 | DOWEL PIN | 1 |
| 10 | MT3115 3063 00 | BUSHING | 1 |
| 11 | MT3115 6001 91 | WASHER | 1 |



MT9754 0099 68 FLUSHING SEAL KIT 2550 (T45/T51)

| ITEM | PART NUMBER | DESCRIPTION | QTY |
|------|----------------|--------------|-----|
| 1 | MT3115 2233 00 | DRILL COLLAR | 1 |
| 2 | MT3115 3198 00 | WIPER | 2 |
| 3 | MT3115 3196 00 | GUIDE | 2 |
| 4 | MT3115 2387 00 | CUP SEAL | 2 |
| 5 | MT3115 3197 00 | GUIDE | 2 |
| 6 | MT0663 2104 94 | O-RING | 2 |



STINGERS - RHS27

| ITEM | PART NUMBER | DESCRIPTION | QTY |
|------|-----------------|-------------------------|-----|
| 1 | MT9128 4285 175 | SPACER | 1 |
| 2 | MT3128 2592 16 | PISTON | 1 |
| 3 | MT9128 3960 00 | COVER | 1 |
| 4 | MT9236 2017 61 | BLOCK | 1 |
| 5 | MT9236 2017 62 | WASHER | 2 |
| 6 | MT9236 2027 42 | STINGER FOOT (MT only) | 1 |
| 7 | MT3128 2191 72S | SEAL + CLAMP | 1 |
| 8 | MT9236 2017 63 | FILTER PLUG | 4 |
| 9 | MT3128 3005 37 | PLUG | 1 |
| 10 | MT0544 2162 00 | GREASE NIPPLE | 1 |
| 11 | MT9106 1856 01 | INDUCTIVE SENSOR | 1 |
| 12 | MT9106 1856 01P | BREATHER PLUG (MT only) | 2 |
| 13 | MT9236 2027 421 | PIN | 1 |

STINGERS RSH27

| ITEM | PART NUMBER | DESCRIPTION | QTY |
|------|-----------------|-------------------------------------|-----|
| 14 | MT3128 2191 703 | OUTER TUBE 2500 | 1 |
| 15 | MT3128 2191 743 | MANTLE 2500 | 1 |
| 16 | MT3128 2191 723 | PISTON ROD 2500 (MT only) | 1 |
| 17 | MT3128 0023 200 | OUTER TUBE 2000 | 1 |
| 18 | MT3128 2191 742 | MANTLE 2000 | 1 |
| 19 | MT3128 2191 722 | PISTON ROD 2000 | 1 |
| 20 | MT3128 0023 125 | OUTER TUBE 1500 | 1 |
| 21 | MT3128 2191 741 | MANTLE 1500 (MT only) | 1 |
| 22 | MT3128 2191 72 | PISTON ROD 1500 (incl. item 1) | 1 |
| 23 | MT3128 2191 71 | STINGER SEAL KIT (item 7 not incl.) | 1 |
| 24 | MT9111 2826 101 | STINGER EXT. (ST58 - 500mm) | 1 |
| 25 | MT9111 2826 121 | STINGER EXT. (ST58 - 1000mm) | 1 |
| 26 | MT9111 2826 131 | STINGER EXT. (ST58 - 1250mm) | 1 |

MT3128 0016 79 CRADLE COMPLETE - 2550

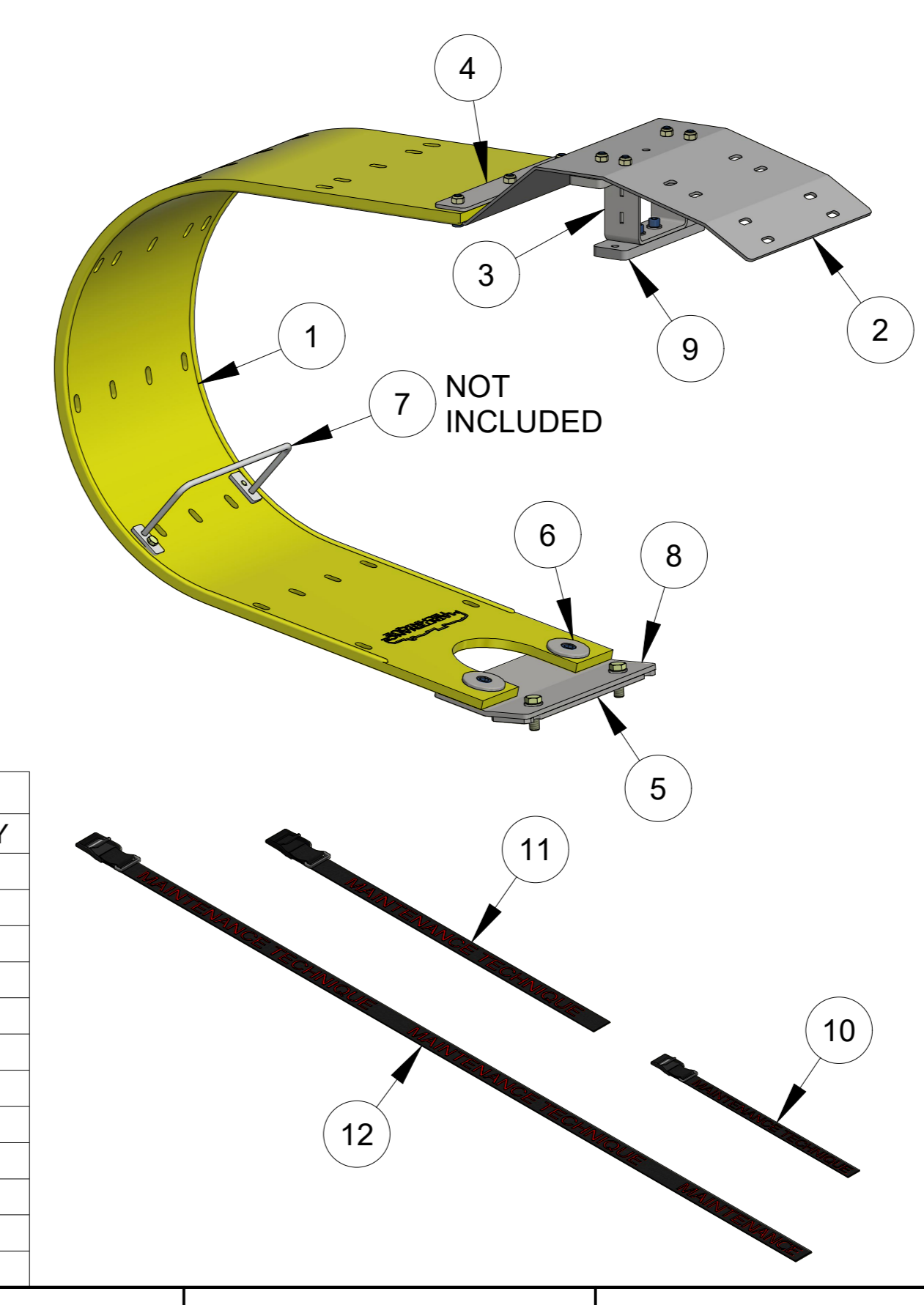
| ITEM | PART NUMBER | DESCRIPTION | QTY |
|------|------------------|----------------------------------|-----|
| 1 | MT4050 2550 01 | UNIVERSAL CRADLE | 1 |
| 2 | MT3128 3105 22 | SPACER | 1 |
| 3 | MT3128 3105 20 | SPACER | 2 |
| 4 | MT3128 2174 00B | BEARING COVER (MT only) | 1 |
| 5 | MT3128 0314 00 | BEARING | 1 |
| 6 | MT3128 3098 07 | DRIVER | 1 |
| 7 | MT3128 0083 00 | SLIDE HOLDER LH | 4 |
| 8 | MT3128 0082 00 | SLIDE HOLDER RH | 4 |
| 9 | MT3128 0646 00 | SLIDE KEY | 16 |
| 10 | MT3128 3043 55 | SLIDE - BLUE (Upholes - mid) | 8 |
| 10.1 | MT3128 3043 55H | SLIDE - WHITE (Downholes - hard) | 0 |
| 11 | MT0333 0500 03 | WASHER PLATE | 4 |
| 12 | MT0580 2202 00 | COUPLING 90° | 1 |
| 13 | MT0544 2162 00 | GREASE NIPPLE | 1 |
| 14 | MT3128 0016 31BK | BOLT KIT | 1 |

MT3128 3098 203 MAGNET MOUNT COMPLETE

| ITEM | PART NUMBER | DESCRIPTION | QTY |
|------|-----------------|-----------------------------|-----|
| 15 | MT3128 3098 206 | MAGNET MOUNT | 1 |
| 16 | MT3128 3098 226 | MAGNET HOLDING BRACKET | 1 |
| 17 | MT3128 3105 18 | MAGNET (incl. bolts & nuts) | 1 |
| 18 | MT3176 5409 001 | DAMPER KIT COMPLETE | 1 |

MT9772 3060 7CA HOSE GUIDE COMPLETE

| ITEM | PART NUMBER | DESCRIPTION | QTY |
|------|------------------|-------------------------------|-----|
| 1 | MT9772 0145 25 | MAT | 1 |
| 2 | MT9772 0145 25B | BENT ATTACHMENT | 1 |
| 3 | MT9772 0145 25M | MOUNT | 1 |
| 4 | MT9772 0145 25P | CLAMPING PLATE | 1 |
| 5 | MT9772 0145 25S | MAT SPACER | 1 |
| 6 | MT9772 0145 25W | WASHER (incl. screw) | 2 |
| 7 | MT9772 0145 254 | HOSE GUIDE (sold separate) | 0 |
| 8 | MT9772 3060 7CBA | BOTTOM ADAPTOR | 1 |
| 9 | MT9772 0130 60 | ADAPTOR PLATE (MT suits M/E7) | 1 |
| 10 | MT3103 0112 10 | STRAP MINI | 0 |
| 11 | MT3176 3681 00 | STRAP SHORT | 0 |
| 12 | MT3115 0212 00 | STRAP LONG | 0 |



MT3128 0020 26 FEED REAR

| ITEM | PART NUMBER | DESCRIPTION | QTY |
|------|------------------|------------------------------------|-----|
| 1 | MT3128 0030 62 | FEED BEAM (incl. items 8-12) | 1 |
| 2 | MT3128 3097 88 | END PLATE COMPL. (incl. items 3-7) | 1 |
| 3 | MT3128 3097 88P | END PLATE | 1 |
| 4 | MT3128 3097 88B | END PLATE ATTACHMENT | 1 |
| 5 | MT3128 3097 88BS | END PLATE ATTACHMENT SHIM | 2 |
| 6 | MT0663 2103 67 | O-RING | 1 |
| 7 | MT9236 2002 69 | SHIM | 2 |
| 8 | MT3128 0034 05 | SLIDE BAR LEFT | 1 |
| 9 | MT3128 0034 06 | SLIDE BAR RIGHT | 1 |
| 10 | MT0129 3270 44 | BLIND RIVET S/S | 28 |
| 11 | MT3128 0034 01 | CLIP-ON 200 SERIES | 2 |
| 12 | MT3128 0034 013 | CLIP-ON LOCKING ASSEMBLY | 2 |
| 13 | MT9121 7221 01SX | FEED CYLINDER 1.8m (service ex.) | 1 |
| 13.1 | MT3128 3019 97SX | FEED CYLINDER 1.5m (service ex.) | 1 |
| 14 | MT9122 4332 50 | COVER | 2 |
| 15 | MT9126 2770 50 | COVER | 2 |
| 16 | MT9121 6526 50 | FEED CYLINDER SEAL KIT (compl.) | 2 |
| 17 | MT3128 0785 74 | EXTENSION | 2 |
| 18 | MT9127 2523 00 | PLAIN BEARING | 1 |
| 19 | MT9126 2714 00 | PIPE | 1 |
| 20 | MT3128 3097 99 | SENSOR BRACKET | 1 |
| 21 | MT3128 0030 19 | PROTECT COVER | 1 |
| 22 | MT9111 0004 06 | HOSE BRACKET | 1 |
| 23 | MT3128 3161 62 | ATTACHMENT | 1 |
| 24 | MT3128 3098 12 | CLAMP | 2 |
| 25 | MT0147 1496 03 | SCREW M16x160 HexHd | 12 |
| 26 | MT3128 3098 13 | ATTACHMENT | 1 |
| 27 | MT7134 01B | BRACKET | 1 |
| 28 | MT7134 02 | BULKHEAD | 1 |
| 29 | MT7134 01FK | FITTINGS KIT | 1 |
| 30 | MT7134 PT | HYDRAULIC PIPE | 1 |
| 31 | MT7134 RL | HYDRAULIC PIPE | 1 |
| 32 | MT7134 FF | HYDRAULIC PIPE | 1 |
| 33 | MT7134 FR | HYDRAULIC PIPE | 1 |
| 34 | MT7134 01 | FEED MANIFOLD | 1 |
| 35 | MT3128 0037 00 | DAMPING | 1 |
| 36 | MT0147 1959 28 | SCREW M30x150 HexHd | 1 |
| 37 | MT0147 1492 03 | SCREW M16x120 HexHd | 8 |
| 38 | MT9106 2192 17 | LINEAR SENSOR RCS4 | 1 |
| 39 | MT3128 3097 27 | LINEAR SENSOR RCS3 (2.4m cable) | 2 |